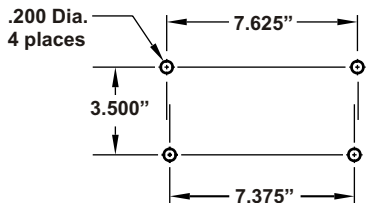


Blue-White Industries, Ltd.

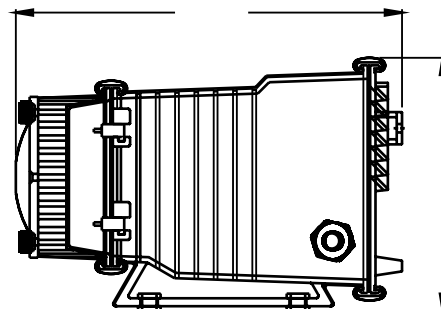
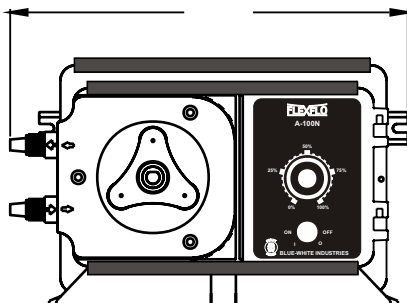
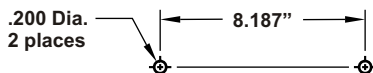
FLEXFLO® Peristaltic Metering Pumps

Dimensions:

Base Mounting



Rear Panel Mounting



Model Number Matrix:

MODEL A1N [] [] S - [] - []

Maximum Motor RPM	
0	= 14 RPM
1	= 30 RPM
2	= 45 RPM
3	= 60 RPM

Power Supply	
0	= 115V60Hz
1	= 220V50Hz*
2	= 230V60Hz
8	= 240V50Hz

Output Control	
S	= Analog timer, 60 sec. Cycle - 10% duty
C	= Analog timer, 5 sec. Cycle - 100% duty
A	= Analog timer, 60 sec. Cycle - 100% duty
V	= Digital speed control with external input
F	= Analog speed control
E	= Digital batch timer with external input
Z	= Proportional feed system - JBox/Cord
X	= No output control - fixed feed rate

Miscellaneous Options (not required)	
1	= T140-6V injector replaces A-014HD-6A
2	= C-340V footvalve replaces C-342-6 strainer
5	= A-014HDK-6A injector PVDF
T7	= 7 gallon chemical tank system
T15	= 15 gallon chemical tank system
T30	= 30 gallon chemical tank system

Tubing Connection Type	
T	= Compression tube nuts
Q	= Push-on quick connect

Pump Tube Size and Material	
1	= 1/4" OD Tygothane
2	= 3/8" OD Tygothane
3	= 7/16" OD Tygothane
4	= 1/4" OD Norprene
5	= 5/16" OD Viton
6	= 3/8" OD Norprene
7	= 7/16" OD Norprene

Maximum Flow rate and pressure capacities:

Tube no.	Tubing Material	14 RPM MODELS				30 RPM MODELS				45 RPM MODELS				60 RPM MODELS							
		ml/min	oz/min	gph	gpd	PSI	ml/min	oz/min	gph	gpd	PSI	ml/min	oz/min	gph	gpd	PSI	ml/min	oz/min	gph	gpd	PSI
1	Tygothane	15	0.51	0.24	5.7	65	35	1.18	0.55	13.3	65	54	1.83	0.86	20.5	65	67	2.26	1.06	25.5	65
2	Tygothane	32	1.08	0.51	12.2	65	75	2.54	1.19	28.5	65	115	3.89	1.82	43.7	65	140	4.73	2.22	53.2	65
3	Tygothane	73	2.47	1.16	27.8	50	173	5.85	2.74	65.8	50	261	8.82	4.14	99.2	50	326	11.01	5.17	124.0	50
4	Norprene	6	0.20	0.10	2.3	100	13	0.44	0.21	4.9	100	21	0.20	0.10	8.0	100	25	0.85	0.40	9.5	75
5	Viton	11	0.37	0.17	4.2	25	26	0.88	0.41	9.9	25	39	1.31	0.62	14.8	25	48	1.62	0.76	18.3	25
6	Norprene	18	0.61	0.29	6.8	100	42	1.42	0.67	16.0	100	63	2.13	1.00	24.0	100	79	2.67	1.25	30.0	75
7	Norprene	57	1.92	0.90	21.7	50	138	4.66	2.19	52.5	50	200	6.76	3.17	76.1	50	250	8.45	3.96	95.1	50

* NOTE: 50Hz units deliver 20% less output.

Replacement Pump Tubes:

Pump Model Number	Suffix	Pump Tube Part Number	Pump Tube Material	Nominal Pump Tube OD
-1T		A-002N-1T	Tygothane	1/4"
-2T		A-002N-2T	Tygothane	3/8"
-3T		A-002N-3T	Tygothane	7/16"
-4T		A-002N-4T	Norprene	1/4"
-5T		A-002N-5T	Viton	5/16"
-6T		A-002N-6T	Norprene	3/8"
-7T		A-002N-7T	Norprene	7/16"
-1Q		A-002N-1Q	Tygothane	1/4"
-2Q		A-002N-2Q	Tygothane	3/8"
-4Q		A-002N-4Q	Norprene	1/4"
-6Q		A-002N-6Q	Norprene	3/8"